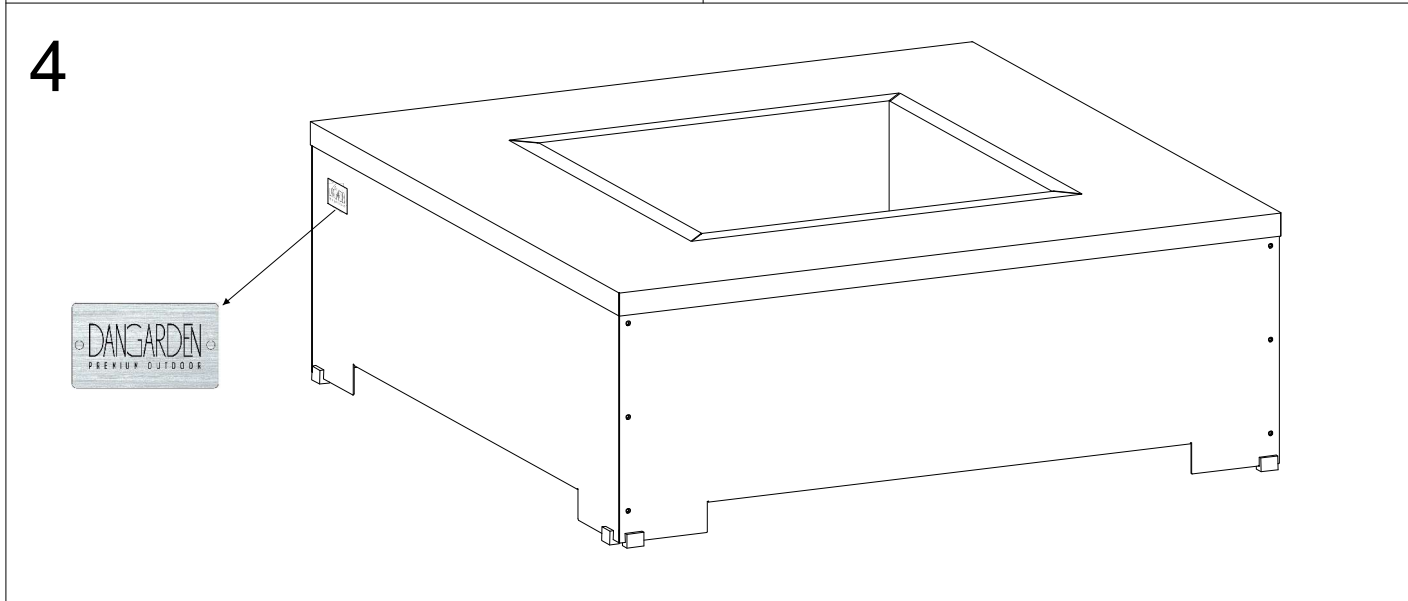
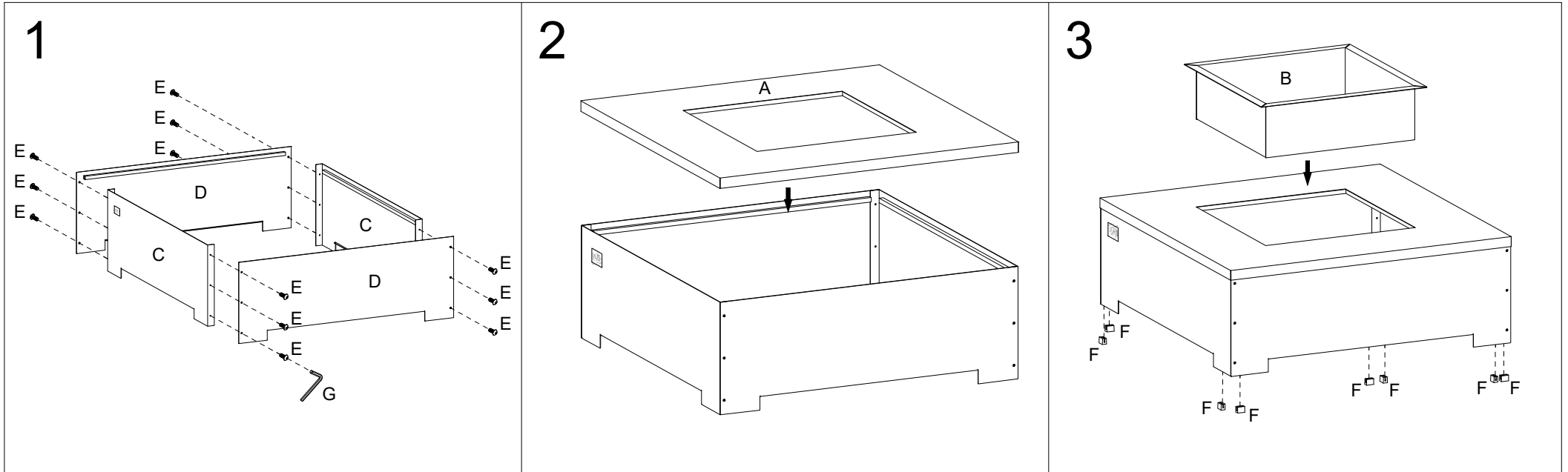


ELDA Eldstad

DANGARDEN



A		1
B		1
C		2
D		2
E		12
F		8
G		1