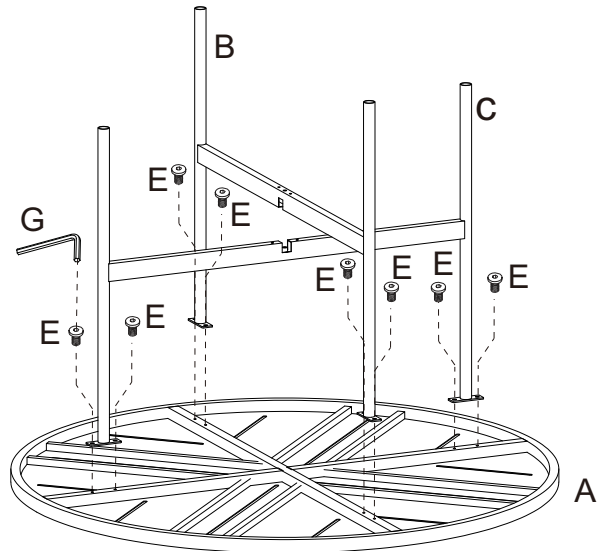


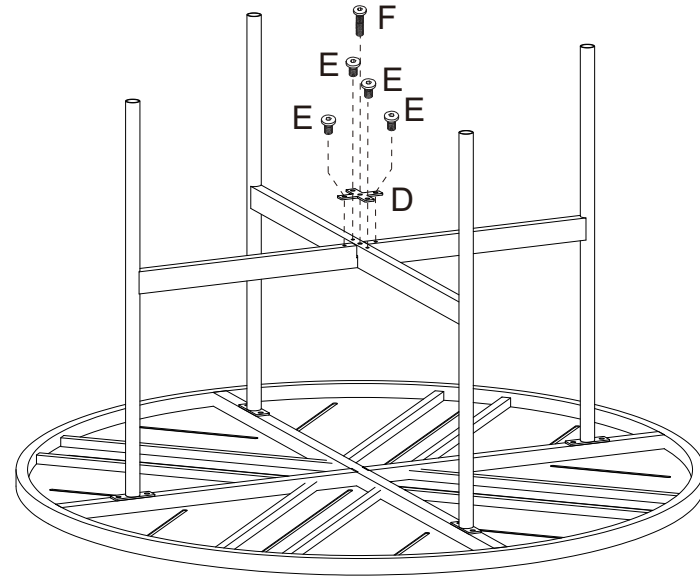
KORIANDER Matbord runt

DANGARDEN

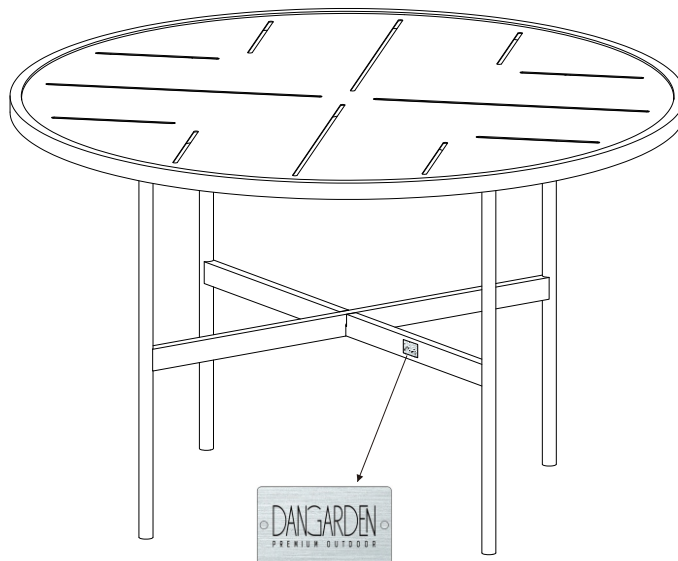
1



2



3



A		1
B		1
C		1
D		1
E		12
F		1
G		1