

# BARROW DELUXE

by Benson

Dear Customer,  
Thanks for choosing our barrow and starting your assembling. It's best to have two people assemble together.

## Step 1:

Sort out below parts. Make the screw through bucket/dowel block/handle/wooden puller/leg successively, match two kinds of spacers and hex nut after all, view as below picture.

①1pc + ②1pc (without logo) + ③1pc + ④1pc + ⑤1pc + ⑥1pc + ⑫1set + ⑬1set

## Step 2:

Sort out below parts. Copy the first step, assembling another handle as below picture, "Garden by Benson" can be seen from outwards.

②1pc (with logo "Garden by Benson") + ③1pc + ⑥1pc + ⑫1set + ⑬1set

## Step 3:

Sort out below parts. Make the screw through bucket/top side of branch punch successively, and match two kinds of spacers and hex nut after all. Then match bottom side of branch punch with screw, make the screw through branch punch/handle/side hangle successively, match two kinds of spacers and hex nut after all, view as below picture.

⑧1pc + ⑪1pc + ⑭2sets + ⑯1set

## Step 4:

Sort out below parts. Make the screw through bucket/top side of branch punch successively, and match the axle through hole in middle of wheel, and put one end of axle in hole of side hangle. Then match bottom side of branch punch with screw, make the screw through branch punch/handle/other end of axle in hole of side hangle successively, match two kinds of spacers and hex nut after all, view as below picture.

⑧1pc + ⑨1pc + ⑩1pc + ⑪1pc + ⑭2sets + ⑯1set

## Step 5:

Sort out below parts. Put the reinforced outrigger out of two metal legs, and match the holes on both handles, choose right screw and match two kinds of spacers and hex nut after all, view as below picture.

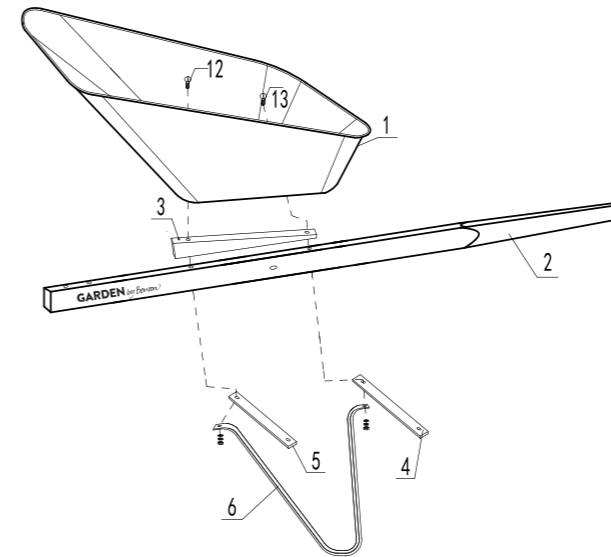
⑦1pc + ⑮2sets + ⑯2sets

## Step 6:

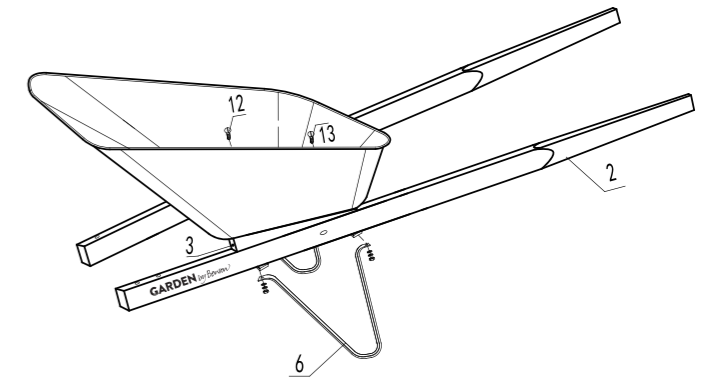
Congratulations, you have assembling the barrow successfully.

NO	Name	Quantity	Picture
1	Bucket	1	
2	Handle	2	
3	Dowel block	2	
4	Long wooden puller	1	
5	Short wooden puller	1	
6	Leg	2	
7	Reinforced outrigger	1	
8	Side hangle	2	
9	Wheel	1	
10	Axle	1	
11	Branch punch	2	
12	Standard part	2	M8*135
13	Standard part	2	M8*105
14	Standard part	4	M8*70
15	Standard part	2	M8*55
16	Standard part	4	M8*20

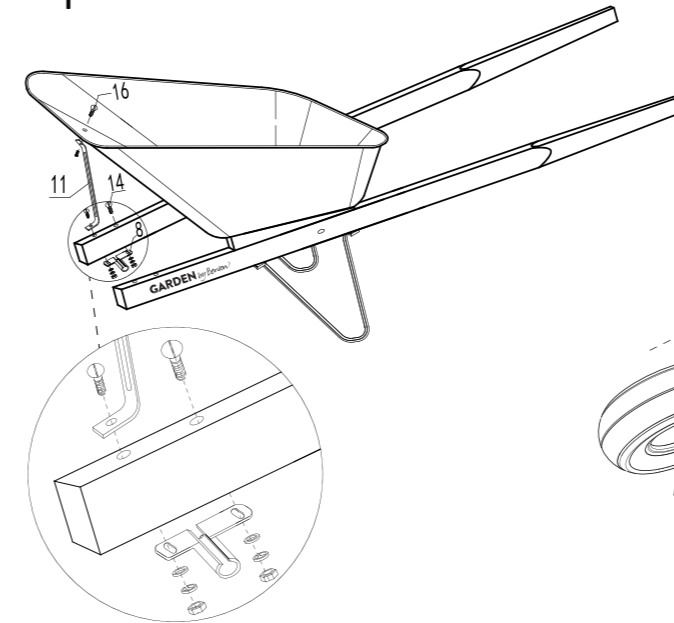
## Step 1:



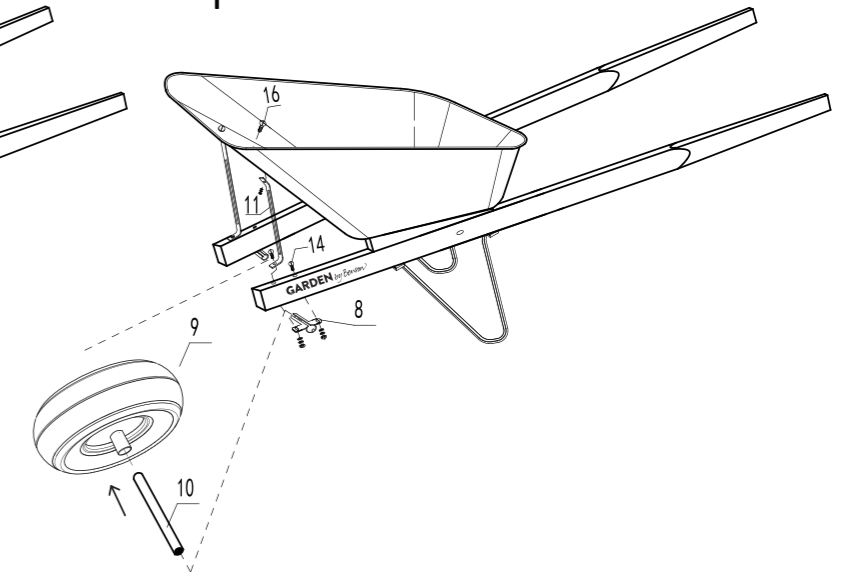
## Step 2:



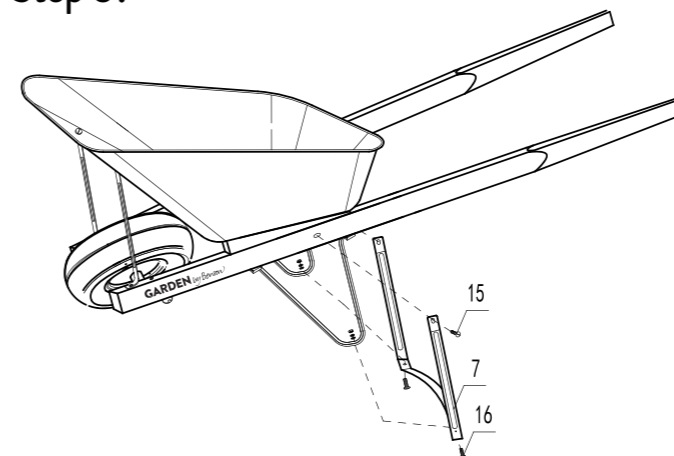
## Step 3:



## Step 4:



## Step 5:



## Step 6:

