














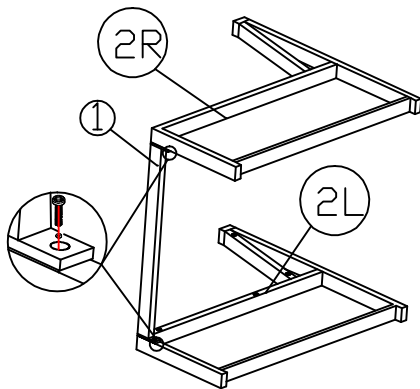
No.		Qty	No.		Qty
E	 M6*20	14	E1	 M6*35	48
F		62	G		1

**PLEASE KINDLY NOTE THAT AFTER ASSEMBLED, THEN TIGHTEN ALL THE SCREWS!
IF YOU FEEL IT'S HARD TO SCREW IN, PLEASE TAKE BACK A LITTLE , THEN TRY AGAIN!**

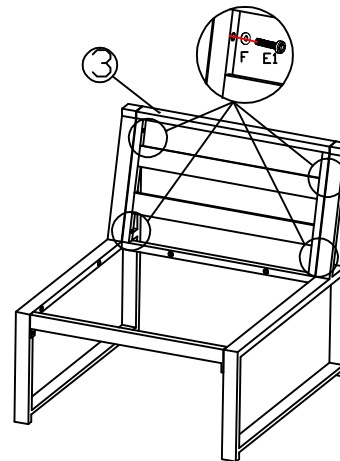
No.		Qty
1		1
2L		1
2R		1
3		1
4		1

No.		Qty
E	 M6*20	2
E1	 M6*35	12
F		14
G		1

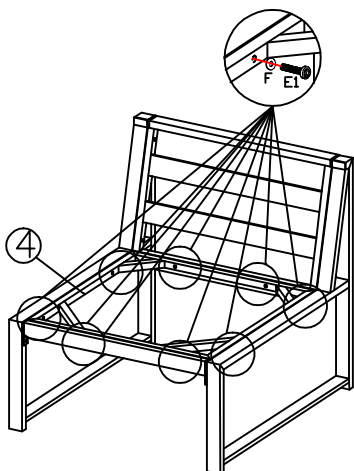
step1



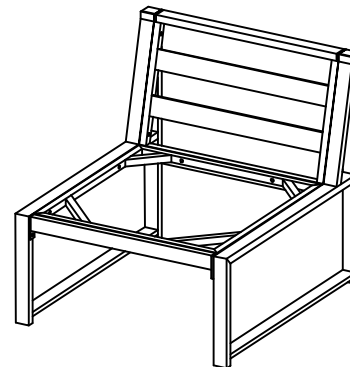
step2








step3







step4

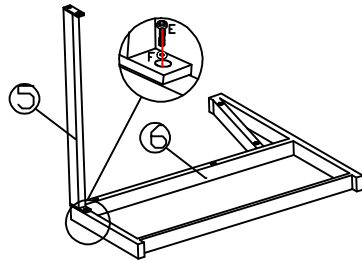


PLEASE KINDLY NOTE THAT AFTER ASSEMBLED, THEN TIGHTEN ALL THE SCREWS.
IF YOU FEEL IT'S HARD TO SCREW IN, PLEASE TAKE BACK A LITTLE, THEN TRY AGAIN!

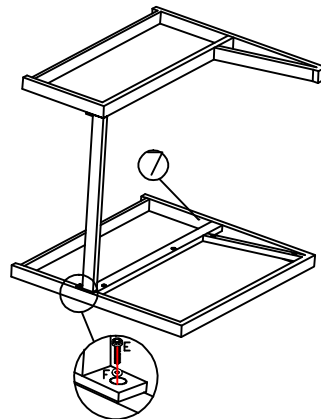
No.		Qty
5		1
6		1
7		1
8		1
9		1

No.		Qty
E	 M6*20	2
E1	 M6*35	12
F		14
G		1

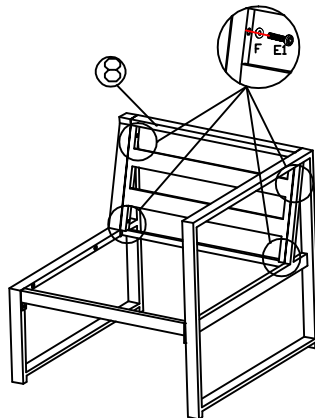
step1



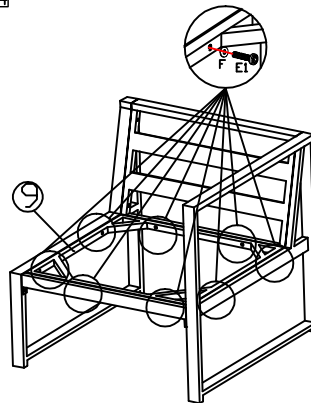
step2



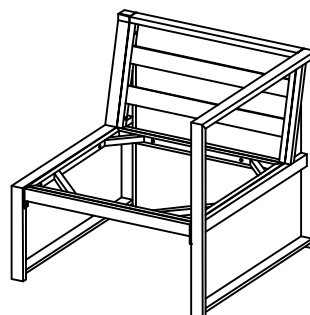
step3








step4




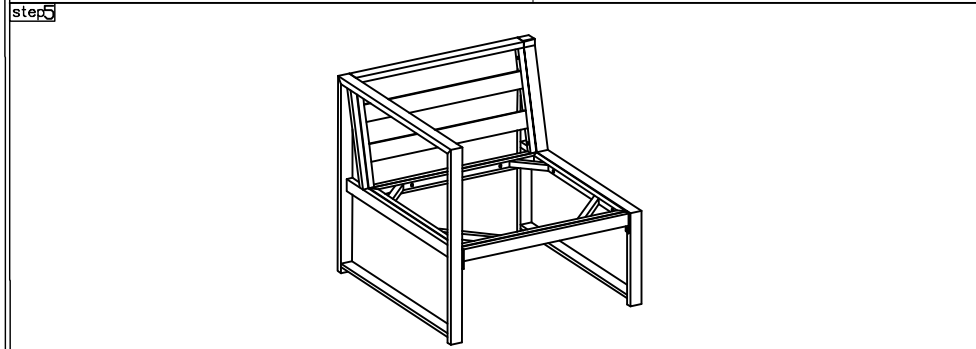
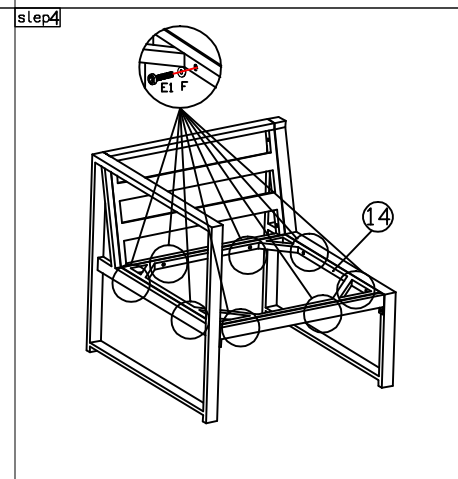
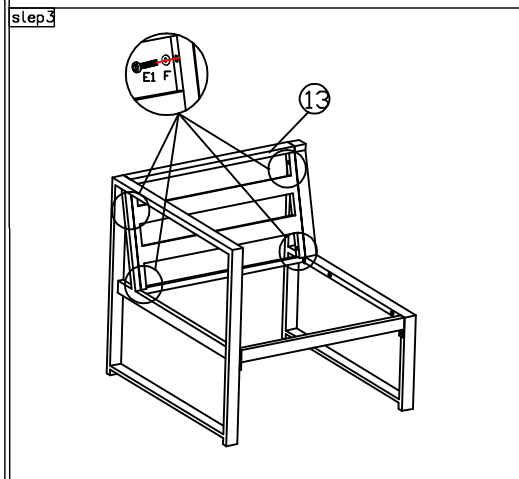
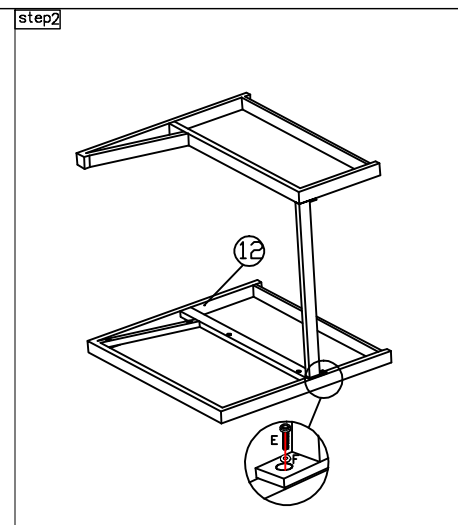
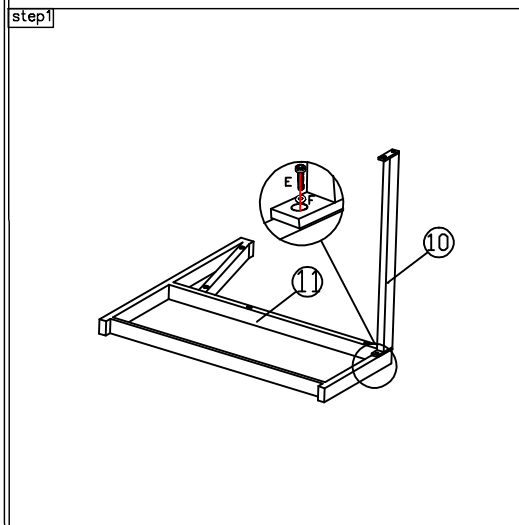
step5





PLEASE KINDLY NOTE THAT AFTER ASSEMBLED, THEN TIGHTEN ALL THE SCREWS.
IF YOU FEEL IT'S HARD TO SCREW IN, PLEASE TAKE BACK A LITTLE, THEN TRY AGAIN!



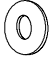

No.		Qty
10		1
11		1
12		1
13		1
14		1

No.		Qty
E	 M6*20	2
E1	 M6*35	12
F		14
G		1

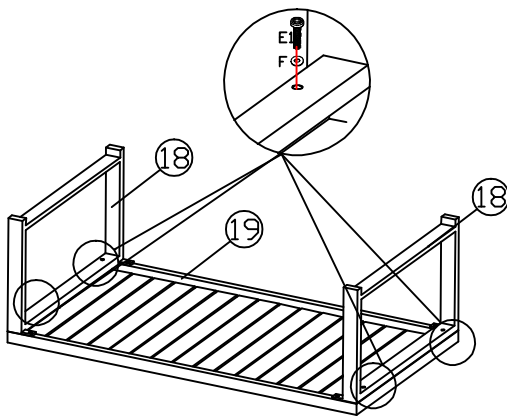


PLEASE KINDLY NOTE THAT AFTER ASSEMBLED, THEN TIGHTEN ALL THE SCREWS. IF YOU FEEL IT'S HARD TO SCREW IN, PLEASE TAKE BACK A LITTLE, THEN TRY AGAIN!

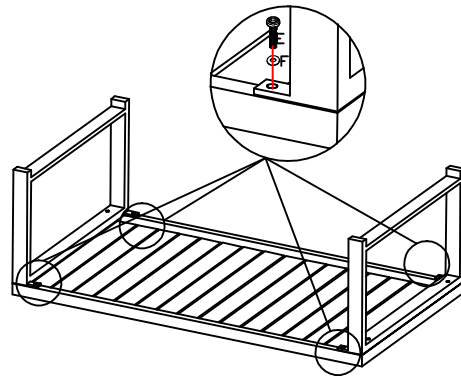
No.		Qty
18		2
19		1

No.		Qty
E	 M6*20	4
E1	 M6*35	4
F		8
G		1

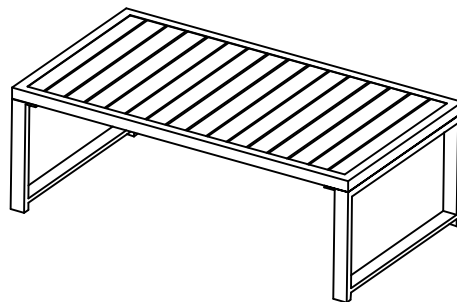
step1



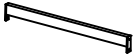


step2







step3

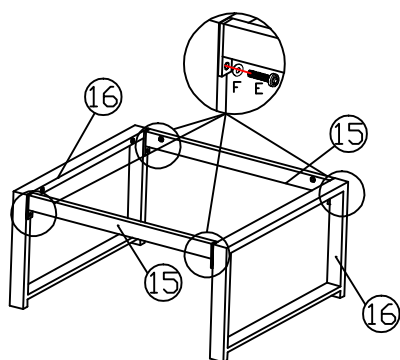


**PLEASE KINDLY NOTE THAT AFTER ASSEMBLED, THEN TIGHTEN ALL THE SCREWS.
IF YOU FEEL IT'S HARD TO SCREW IN, PLEASE TAKE BACK A LITTLE, THEN TRY AGAIN!**

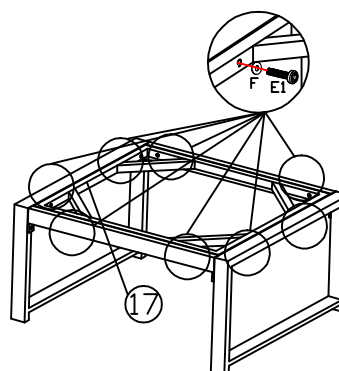
No.		Qty
15		2
16		2
17		1

No.		Qty
E	 M6*20	4
E1	 M6*35	8
F		12
G		1

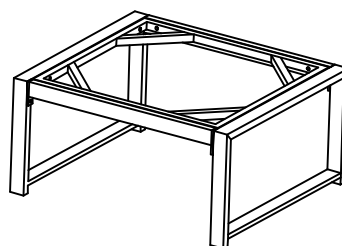
step1



step2



step3



**PLEASE KINDLY NOTE THAT AFTER ASSEMBLED, THEN TIGHTEN ALL THE SCREWS.
IF YOU FEEL IT'S HARD TO SCREW IN, PLEASE TAKE BACK A LITTLE, THEN TRY AGAIN!**